

P.E.V.®



Electronic force gauge for loads from 200 to 32 000 kg

 **VERLINDE**
LIFTING EQUIPMENT

2, boulevard de l'Industrie - B.P. 20059 - 28509 Vernouillet cedex - France

Phone : (33) 02 37 38 95 95 - Fax : (33) 02 37 38 95 99

Internet : www.verlinde.fr

JV 09 2007 132 U GB



Electronic force gauge for loads from 200 to 32 T for intensive use in lifting and handling systems (for hoists, mobile cranes, posts and aerial handling systems).

Real time display by LED or LCD (according to model) on large format screen. A stainless steel version is available for agricultural-food applications.

The equipment is delivered with two galvanised lifting lugs, an upper ring and a lower hook, in addition to sealed, rechargeable batteries and charger.



TECHNICAL FEATURES

- Ultra-portable equipment
- Very strong steel construction to protect against impacts, dual component epoxy paintwork.
- Protection against overvoltages
- Lexan control keypad for improved comfort during use
- Large format LCD or LED display for improved legibility
- 2 galvanised lifting points as standard
- Extensive range of options for optimal weighing matching your requirements and environment (built in printer, stainless steel version, Bluetooth or WiFi connection)
- +/- 0.01% accuracy for nominal capacity
- Operating temperature: - 20 °C to + 60 °C
- Protection: IP 55

PRODUCT ADVANTAGES

	PEV 1	PEV 2
• Overload signal (110% of lax load)	●	●
• Battery low signal	●	●
• Tare	●	●
• Return to zero	●	●
• Total amount	optional	●
• Total deletion	optional	optio
• Excellent legibility on large display (LCD or LED).	5 LCD 30/48 mm	5 L 25,4
• Value recording maximum value	optional	optio

P.E

Electronic force gauge for loads from 200 to 32 T



OPTIONS

- 1 - 5 LED 35.4 mm display
- 2 - Infra-red remote control (functions M+, RM, MO, tar)
- 3 - Infra-red remote control (functions M+, RM, MO, tar)
- 4 - Carrying case (up to model)
- 5 - Load preselection (standard)
- 6 - Two sets of batteries for inter
- 7 - Stainless steel version
- 8 - Tropical weather and IP 65 p
- 9 - Built-in printing machine
- 10 - Bluetooth or WiFi connecti
- 11 - Display

.V.[®]

force gauge

200 to 32 000 kg

PEV 2	PEV 3
●	●
●	●
●	●
●	●
●	●
●	●
optional	●
5 LCD	5 LCD
45,72 mm	45,72 mm
optional	optional



PEV 3

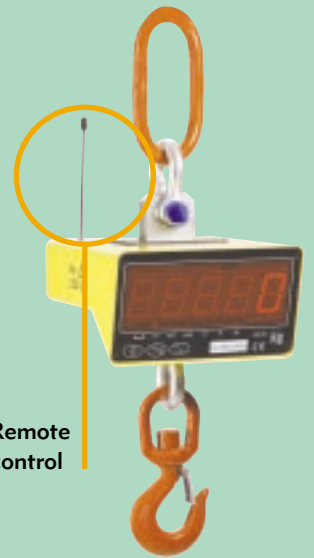
OPTIONS



Carrying case



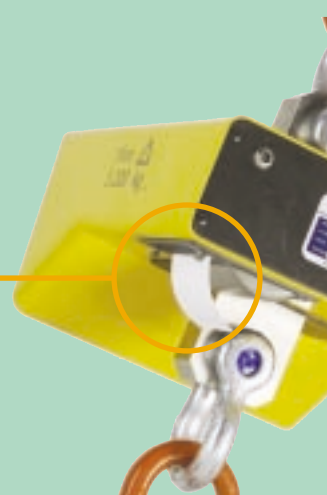
Charger battery



Remote control

	PEV 1	PEV 2	PEV 3
	-	●	-
(e, backlit, on/off)	●	-	-
(e, total amount, on/off)	-	●	●
(5 T)	●	●	-
(with IR control)	-	●	●
nsive use	-	●	●
	-	●	●
protection	-	●	●
	-	-	●
on	-	NC	NC
	●	●	●

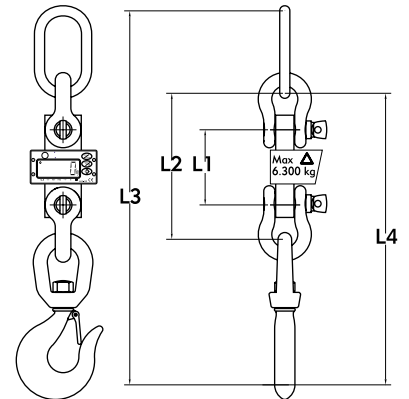
Built-in printing machine



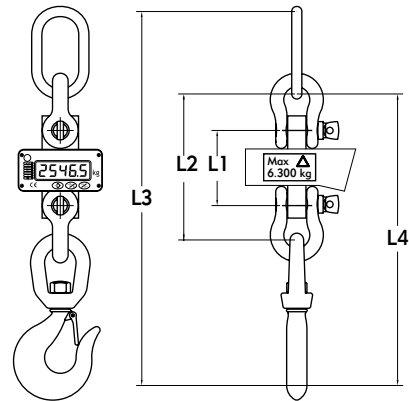
P.E.V.[®]

Electronic force gauge for loads from 200 to 32 000 kg

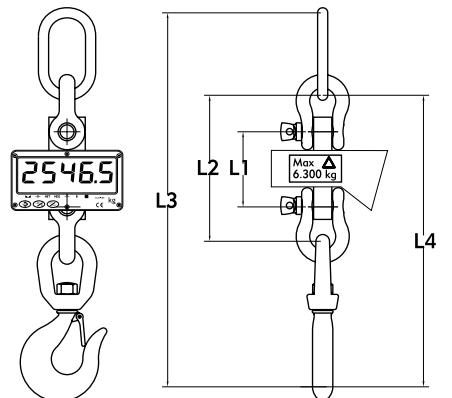
Capacity (kg)	Scale (kg)	Dimensions (mm)				Total weight (kg)	
		L1	L2	L3	L4	with	without
						accessory	
500	0,2	134	244	504	379	3,5	5,2
1000	0,5	134	244	549	399	3,5	6,2
2000	1	134	244	549	399	3,5	6,2
3200	1	146	336	706	526	4,5	8,2
5000	2	160	350	720	540	5,9	10,5
6300	2	160	350	720	594	5,9	16,5
10000	5	174	449	949	724	7,2	24



Capacity (kg)	Scale (kg)	Dimensions (mm)				Total weight (kg)	
		L1	L2	L3	L4	with	without
						accessory	
500	0,2	134	244	504	379	3,5	5,2
1000	0,5	134	244	549	399	3,5	6,2
2000	1	134	244	549	399	3,5	6,2
3200	1	146	336	706	526	4,5	8,2
5000	2	160	350	720	540	5,9	10,5
6300	2	160	350	720	594	5,9	16,5
10000	5	174	449	949	724	7,2	24



Capacity (kg)	Scale (kg)	Dimensions (mm)				Total weight (kg)	
		L1	L2	L3	L4	with	without
						accessory	
500	0,2	134	244	504	379	3,5	5,2
1000	0,5	134	244	549	399	3,5	6,2
2000	1	134	244	549	399	3,5	6,2
3200	1	146	336	706	526	4,5	8,2
5000	2	160	350	720	540	5,9	10,5
6300	2	160	350	720	594	5,9	16,5
10000	5	174	449	949	724	7,2	24
12000	5	205	449	1027	773	14	33,4
16000	10	209	508	1168	863	17	49,2
25000	10	240	605	1434	1085	24	82,8
35000	20	270	676	1608	1202	31	117,7



VERLINDE
LIFTING EQUIPMENT

2, boulevard de l'Industrie - B.P. 20059 - 28509 Vernouillet cedex - France
Téléphone : (33) 02 37 38 95 95 - Télécopieur : (33) 02 37 38 95 99
Internet : www.verlinde.fr